




USER`S MANUAL

SAGITA

2 SAFETY TIPS

 **In order to obtain the highest possible sound reproduction quality and for the sake of your own safety, please kindly refer to the following.**

- Never place the preamplifier near heat sources, such as radiators, heaters or direct sunlight. Ensure adequate ventilation and airflow
- We also warn against exposure of the preamplifier to conditions such as very low temperatures and/or high humidity.
- The preamplifier should be plugged directly into a wall socket. If you must use an extension cord, please make sure that it has load parameters sufficient to ensure proper handling of current delivery to the device.
- When cleaning, always disconnect the preamplifier from the power source. Use a dry, soft cloth. Do not use water or cleaning agents.
- If your preamplifier starts to misbehave or to work incorrectly, if it's temperature gets too high or you start feeling smoke - immediately disconnect the device from the mains.

- Due to the risk of exposure to high voltages – please do not open the lid of the preamplifier. ATTENTION: This warning remains in force also in a situation where the device is already disconnected from the wall outlet.
- Always replace fuses in accordance with the original, intended specification.
- Do not make repairs on your own, or adjustments beyond those as described in this manual. Execution of any unauthorized repairs or modifications of the device result in a loss of warranty


3 INTRODUCTION

New version of Sagita line preamplifier. In standard equipped with anti-vibration feet, adapted to the weight of the device. Backlight logo. Sagita Fezz Audio is a top-class line preamplifier equipped with 8 RCA inputs, including one direct. Two pairs of RCA outputs creates a possibility to be used in a Hi-fi systems, based on up to four monophonic power amplifiers. It is a perfect match with tube-based and transistor sets. Sagita provides linear sound without unnecessary tone coloration. The Sagita pre-amp is based on the high-end Burson V6 Vivid opamps. An important part of the power section is the audio grade Toroidy.pl transformer.

4 INSTALLATION

UNPACKING


Please kindly check if the packaging of the Sagita preamplifier has not been damaged during transit. If you find any damages, please immediately contact your dealer. Remove the preamplifier and accessories from the packaging. Make sure that the content is not damaged.

 **Do not connect the device to the power supply if it has visible signs of damage on it. Please do not dispose the original packaging, so as to facilitate possible shipment of the device in the future.**

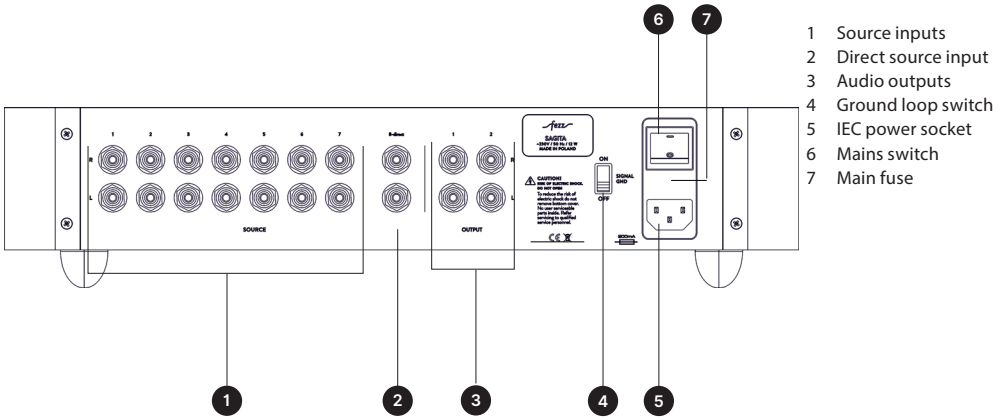
CONTENTS OF THE PACKAGE

Package contains:

- Sagita preamplifier
- Power cord
- User's manual
- Warranty card

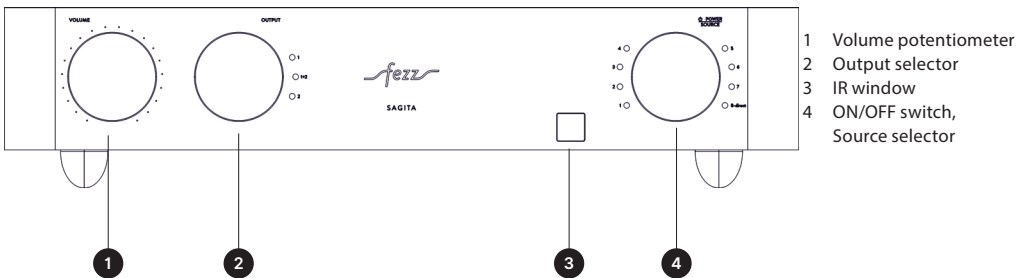
 **If any of the above items are missing in your package, contact your dealer immediately.**

5 INTERCONNECTIONS



The figures above shows the rear panel view of the Fezz Sagita line preamplifier.

⚠ To avoid electrostatic shock to the components of the preamplifier, please touch a grounded conductive surface before making any connections. Any and all connections must be made whilst the device is disconnected from the mains power supply. Before making any such connections, make sure that the amplifier is switched off.



The figures above shows the rear front view of the Fezz Sagita line preamplifier.

Follow the instructions below to connect your sound system correctly.

STEP 1 CONNECT THE PREAMPLIFIER TO THE POWER

Sagita preamplifier has two pairs of power amplifier outputs (3). Please connect the power amplifier to the one pair of the RCA outputs (3). If you are using two MONO power amplifiers, please connect one to the L output, second to the R output. Select the source of output signal by rotating the output selector (2) located on the front panel of the preamplifier.

The quality of the connecting cable is important. Please pay attention to the output cable quality as it can have an impact on the performance qualities of the sound.

STEP / 2 SIGNAL SOURCES CONNECTION

Connect the signal sources to the preamplifier inputs (1) Select the source of input signal by rotating the input selector located on the front panel of the preamplifier (9). In order to achieve the highest sound quality, use only high-quality RCA cables. Pay attention to the proper connection and distinction of the right (R) and the left (L) channels.
DIRECT INPUT – You can connect analog signal source (2) and bypass the Sagita's preamplifier volume potentiometer. You can control the volume using variable output in your player.

STEP 3 / POWER CORD CONNECTION

Make sure that the preamplifier is switched off. Connect the power cord to the IEC socket on the rear panel of the preamplifier. The preamplifier is designed to operate at a rated voltage of 230V / 50-60Hz. Connecting the device to a mains network with incorrect parameters can lead to damage that is not covered by manufacturers warranty.

⑥ GETTING STARTED

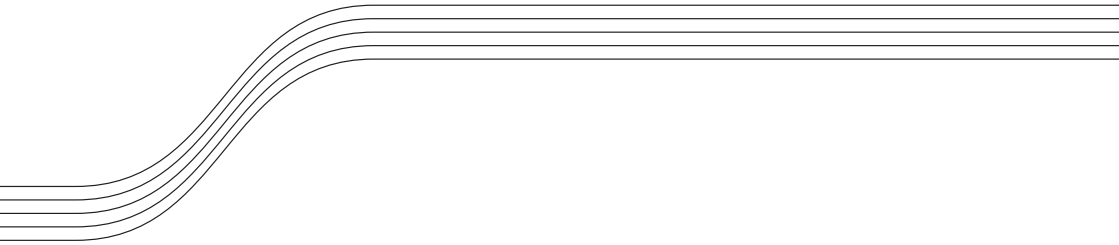
Make sure that all of your wiring is connected in accordance with the information as provided above on page 6 of this manual. Set the volume control to minimum. Turn on the mains power at the back of the Sagita preamplifier. (6) After this time the light will turn red. Push power / selector source button (4) to turn-ON the preamplifier. Select output 1 or 2. Make sure the sound source is turned on, select source number, then gradually increase the volume level by turning the potentiometer.

⑦ TROUBLE-SHOOTING GUIDE

If your preamplifier does not work as it is supposed to, it is fairly easy to diagnose and remedy some of the common malfunctions,

THE PROBLEM	PROBABLE REASON	SOLUTION
After turning the power switch to the ON position, the amplifier does not switch on.	A blown fuse	Please exchange to faulty fuse to a new one (0,2 A T), within the fuse holder as depicted with index 7 on page 4 of this user's manual.
	An improper connection of the mains cable	Please check if the plugs of the mains cable are properly inserted into the electrical mains socket and to the socket as depicted with index 5 on page 4 of this user's manual.

If you have verified the aforementioned situations, and your problem still persists, please contact your local Fezz Audio dealer.



WWW.FEZZAUDIO.COM