



roksan.com/atessa-support

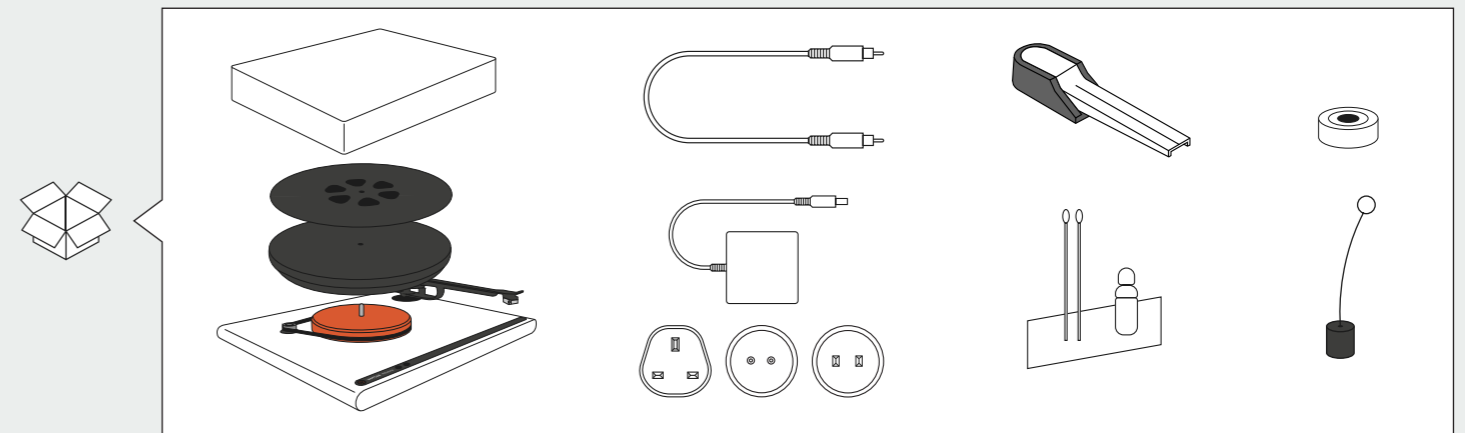


# Let's get started

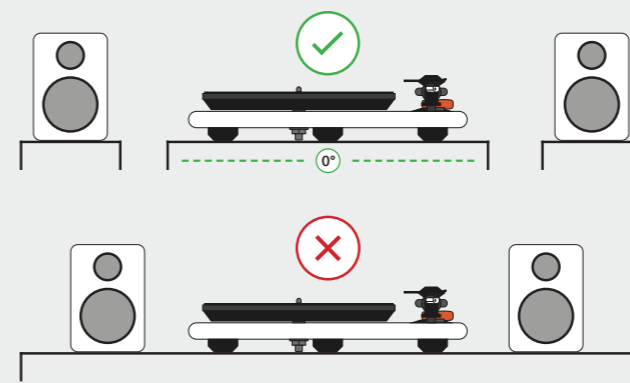
### Material Specifications

Plinth	Isolated single plinth design
Isolation	1-level decoupling
Platter	High Mass 10mm Glass Platter with Anodised Aluminium edge
Platter weight	1.82 Kg
Pulley	Solid Aluminium
Main Bearing Spindle	Grade 303 Stainless Steel
Main Bearing Ball	Steel (Grade 303)
Main Bearing Housing	Brass (Grade CZ 121)
Removable Dust Cover	Bespoke moulded PMMA acrylic
<b>Tonearm</b>	
Tonearm Type	Unipivot
Tonearm Bearing	Single Jewel
Bearing	Stainless steel unipivot
Arm Material	Hybrid construction. Precision formed 5052 Aluminium top with lightweight ABS bottom section.
Internal wiring	0.08 OFC copper wire
Effective Mass	14.9 g
Recommended Tracking Weight	1.8-2.2 g (2.0 g standard)
Effective Length	240 mm
Overhang	17.5 mm
Headshell Offset Angle	22.9 degrees
<b>Cartridge</b>	
Recommended Load Capacitance	50-100 pF
Recommended Load Impedance	47 kΩ
Vertical Tracking Angle	23 degrees
Stylus Tip	Diamond titanium
DC Resistance	800 Ω ± 20%

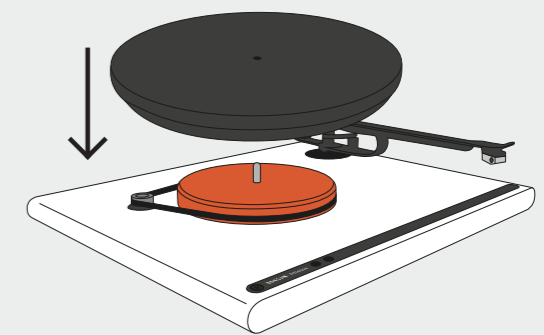
Coil Impedance	3.2 kΩ ± 20% @ 1 kHz
Output Voltage	3.5 mV ± 3 dB @ 1 kHz
Output Balance	1.5 dB or less @ 1 kHz
Frequency Response	Measurement point 10 kHz / 1 kHz + 1 dB - +7dB
Channel Separation	Measurement point 1 kHz over 22 dB
<b>Turntable</b>	
Max Speed Variation	+/- 0.54% at 33.3 RPM
Rumble (silent groove, unweighted)	-44.36 dB
<b>Dimensions</b>	
Dimensions (Inc. Lid)	H115 x W432 x D353 mm
Dimensions (Exc. lid)	H104.5 x W432 x D383 mm
Weight	6.32 Kg
<b>Technical</b>	
Motor	Vibration Isolated 24 Pole Synchronous
Speed Controller	Built in high precision digitally synthesised AC signal generator with high current low distortion output
Speed	33 RPM & 45 RPM (Switchable)
Phono Stage	Built in MM phono stage
Phono Stage Bypass	Yes, (switchable on rear)
Phono stage gain (1 kHz)	46 dB
Phono Stage Signal to Noise	70 dB (5 mV, 1 kHz sine wave, A-weighted)
THD+N	0.04% (5 mV, 1 kHz sine wave)
Phono Stage output impedance	~56 Ω
<b>Outputs</b>	
Phono Output	RCA with supplied low capacitance phono cable
Mains input	5 V 1.5 A external SMPS (Operational down to 85 VAC)
Power consumption	<0.5 W in standby. Full Power: 25 W max



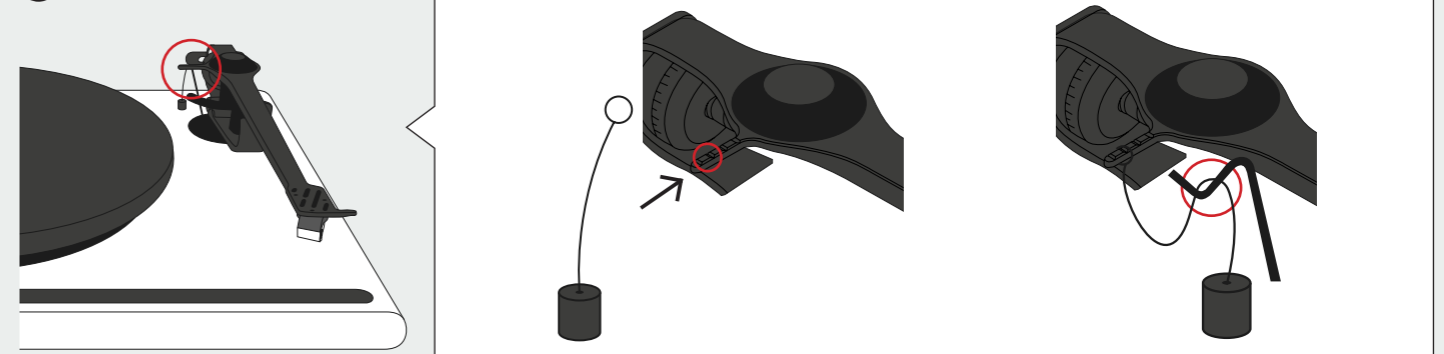
### 1 Place in suitable location



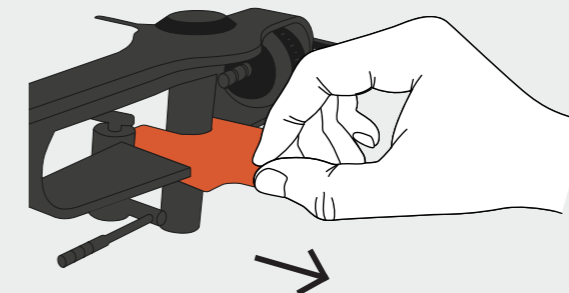
### 2 Install Platter



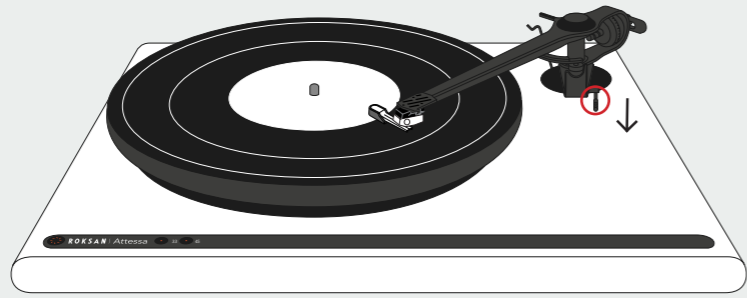
### 3 Install Anti-Skate Weight



### 4 Remove Tonearm clamp



## 5 Adjust tracking weight

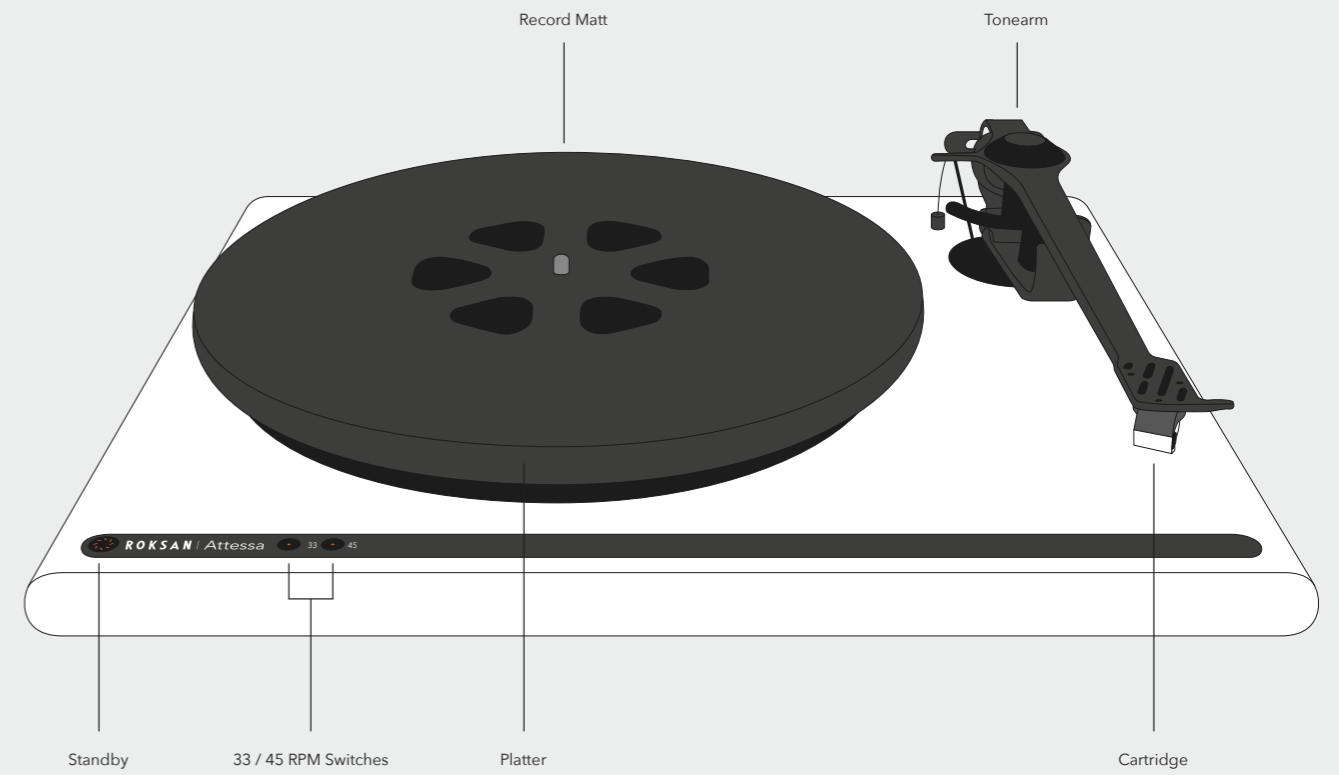


**2g**  
1.8g - 2.2g

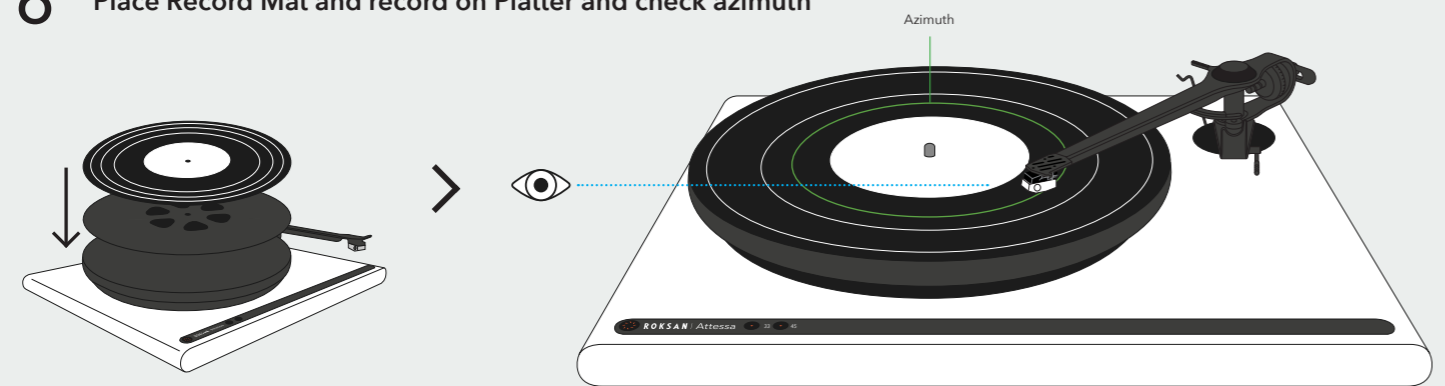
✓ Step 6

✗

## 7 Product overview



## 6 Place Record Mat and record on Platter and check azimuth

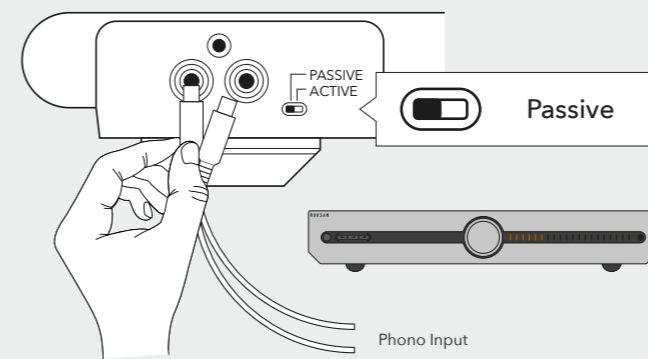


**0°**

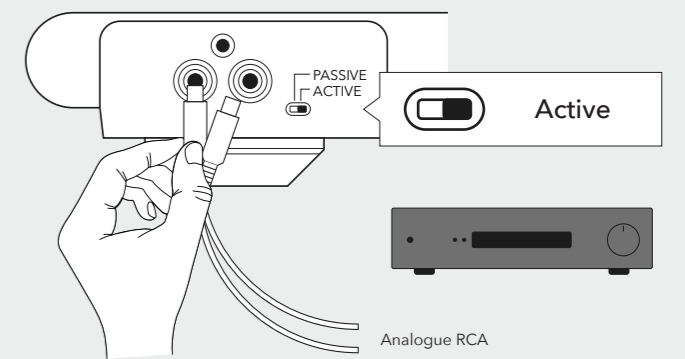
✓ Step 7

✗

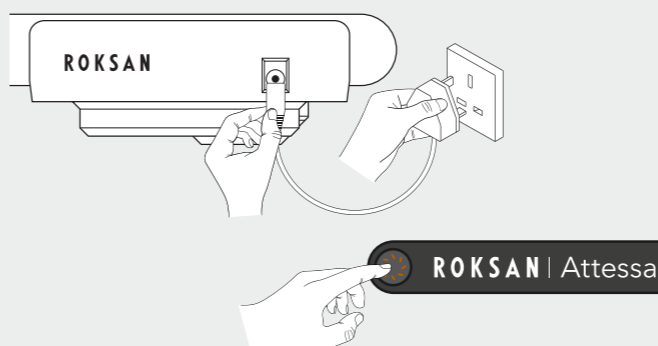
## 8a Connect to amplifier with phono stage (Attessa Integrated/Streaming Amplifier)



## 8b Connect to amplifier without phono stage



## 9 Power on



## 10 Change RPM speed

